



# Balustrade

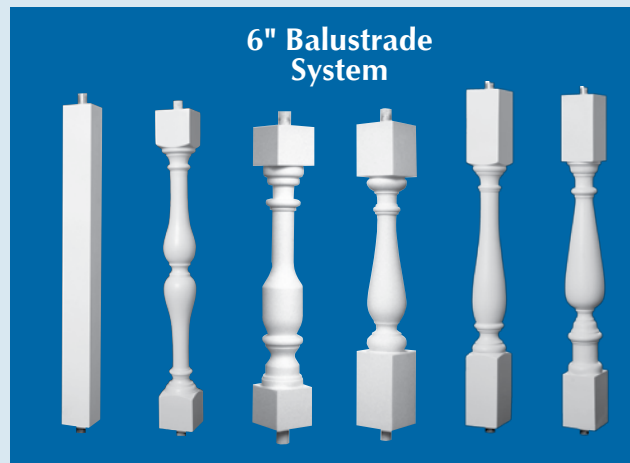


Dixie's new balustrade system is available in 3 sizes (6", 7" and 12") and is easy to install. It comes primed ready for painting. The balustrade is manufactured from a high-density polyurethane with a structural insert. It will never rot, decay or deteriorate and will provide years of beauty. Curved "radius" rails are also available in up to 10' sections to complement any design.

### Balustrade Features:

- 6", 7" and 12" Styles Available
- Manufactured from High-Density Polyurethane
- Low Maintenance
- Durable
- Decay Resistant
- Primed White (Ready to Paint)
- Easy to Install
- Curved "Radius" Rail Styles Available
- 25 Year Limited Warranty

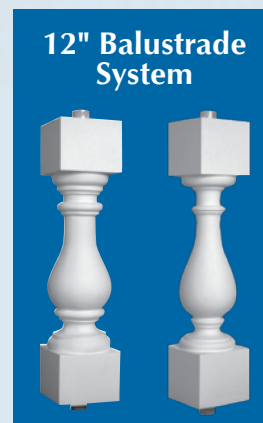
## Balustrade System Styles:



Square Windsor Edinburgh Wessex Wales York



Katharine Caroline Abigail Leslie Anne



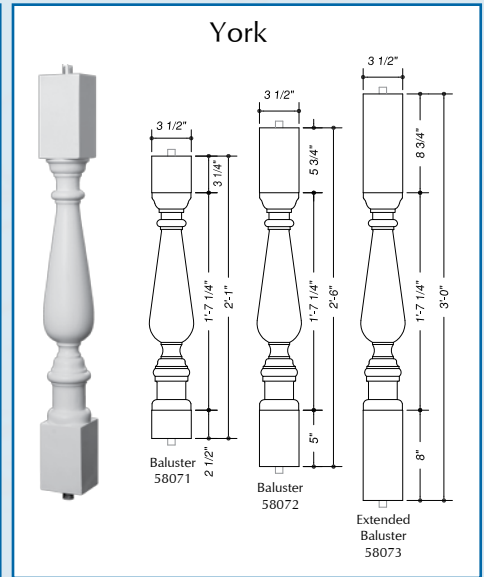
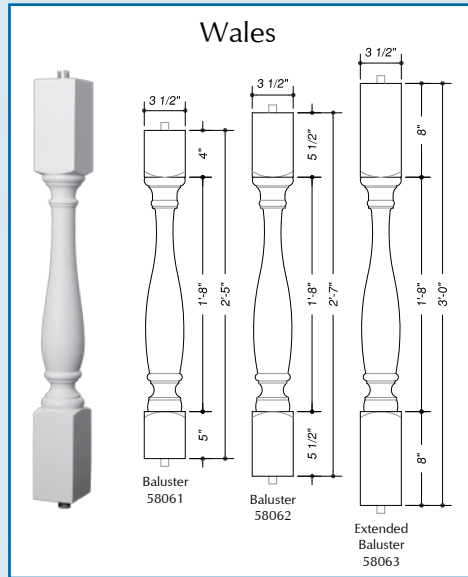
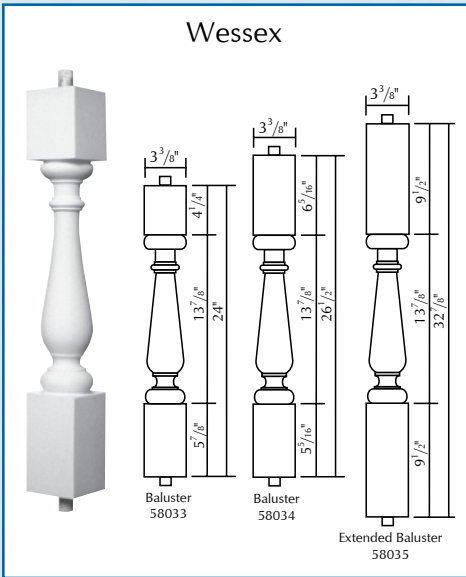
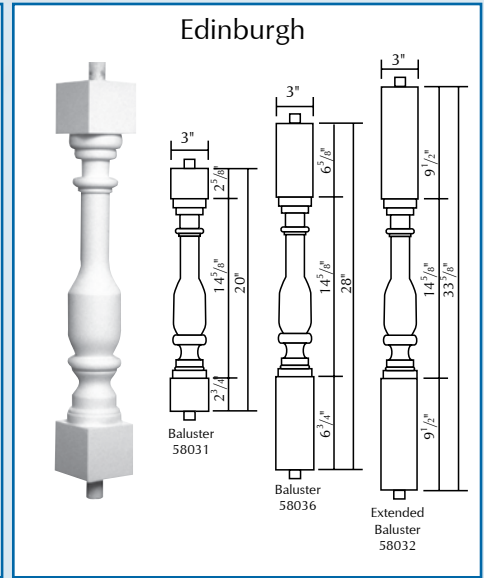
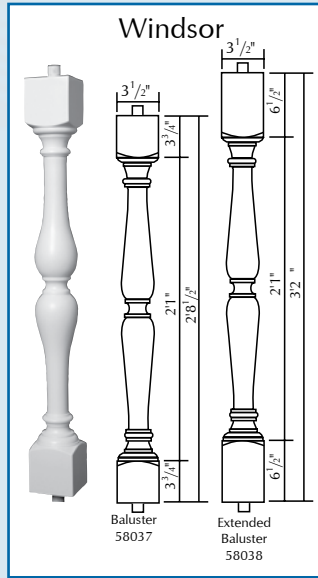
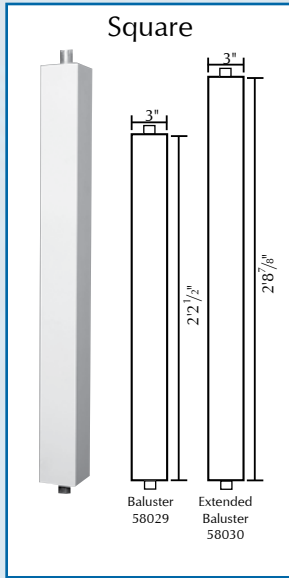
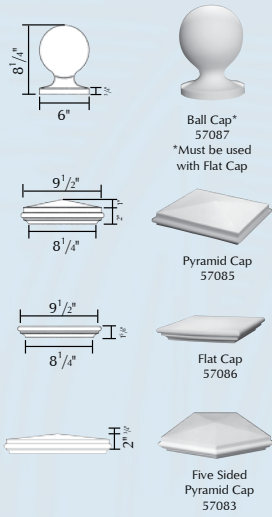
Kennedy Madison



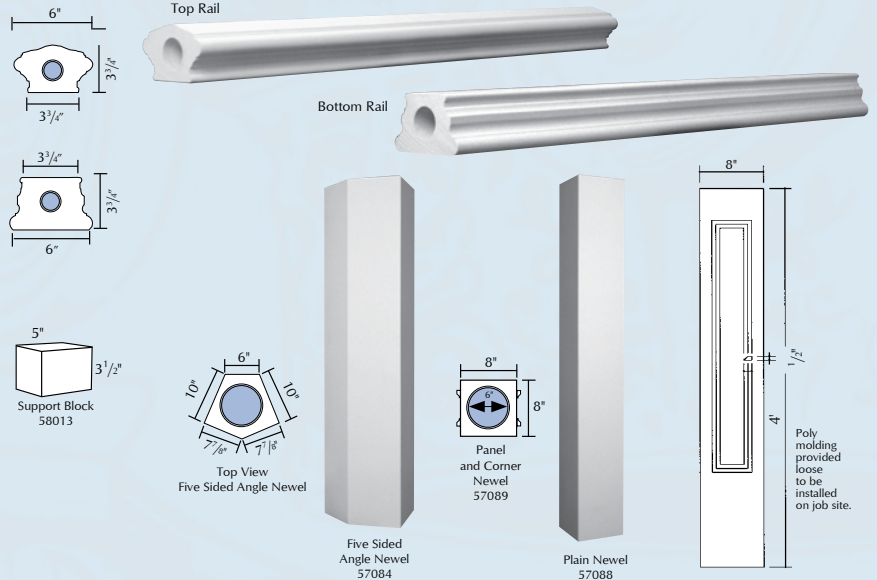
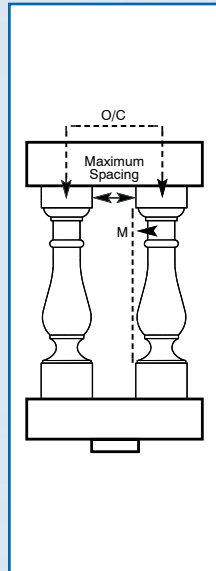
**NEW**

# 6" Balustrade System

There may be a variance of up to 1/4" in all dimensions.



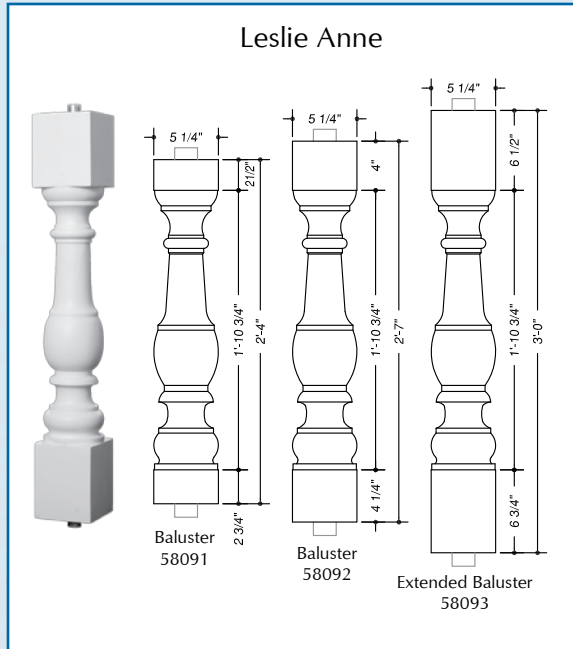
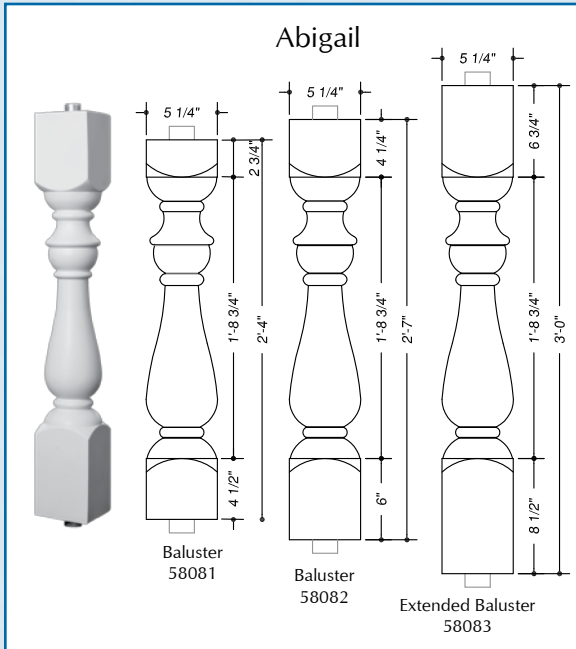
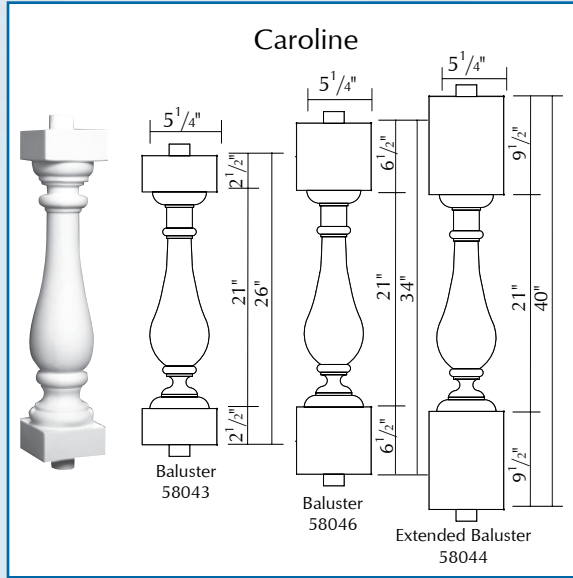
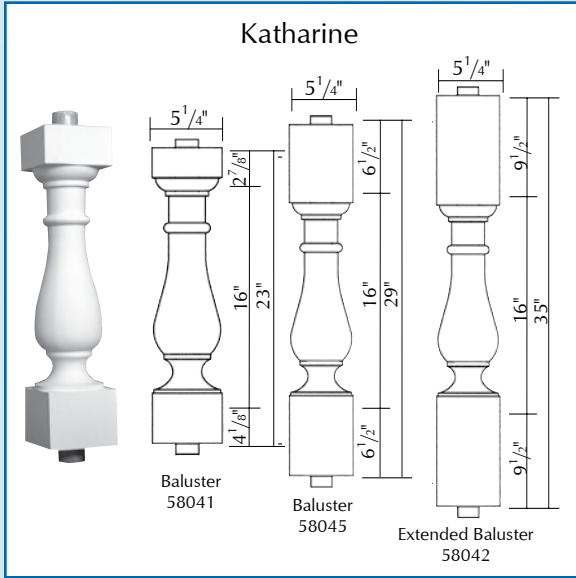
6" Balustrade System			
Item #	M	Maximum Spacing	O/C
58031	7/8"	2 1/4"	5 1/4"
58032	7/8"	2 1/4"	5 1/4"
58036	7/8"	2 1/4"	5 1/4"
58033	1"	2"	5 1/2"
58034	1"	2"	5 1/2"
58035	1"	2"	5 1/2"
58037	1"	2"	5 1/2"
58038	1"	2"	5 1/2"
58029	0"	4"	7"
58030	0"	4"	7"
58061	1 1/16"	1 3/4"	5 1/4"
58062	1 1/16"	1 3/4"	5 1/4"
58063	1 1/16"	1 3/4"	5 1/4"
58071	1"	2 1/8"	5 5/8"
58072	1"	2 1/8"	5 5/8"
58073	1"	2 1/8"	5 5/8"



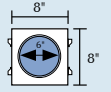
# 7" Balustrade System

There may be a variance of up to 1/4" in all dimensions.

**NEW**



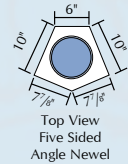
Plain Newel 57088



Panel and Corner Newel 57089



Five Sided Angle Newel 57084

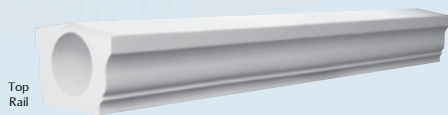


Top View Five Sided Angle Newel

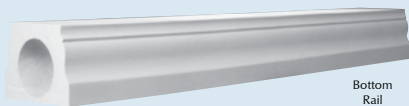


Support Block 58012

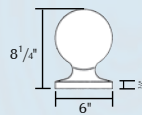
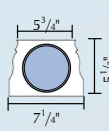
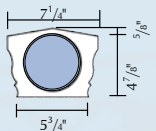
Poly molding provided loose to be installed on job site.



Top Rail



Bottom Rail



Ball Cap\* 57087  
\*Must be used with Flat Cap



Flat Cap 57086



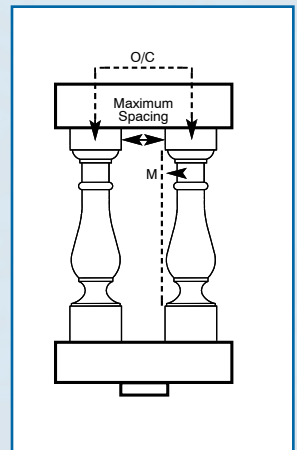
Pyramid Cap 57085



Five Sided Pyramid Cap 57083

## 7" Balustrade System

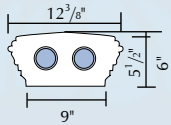
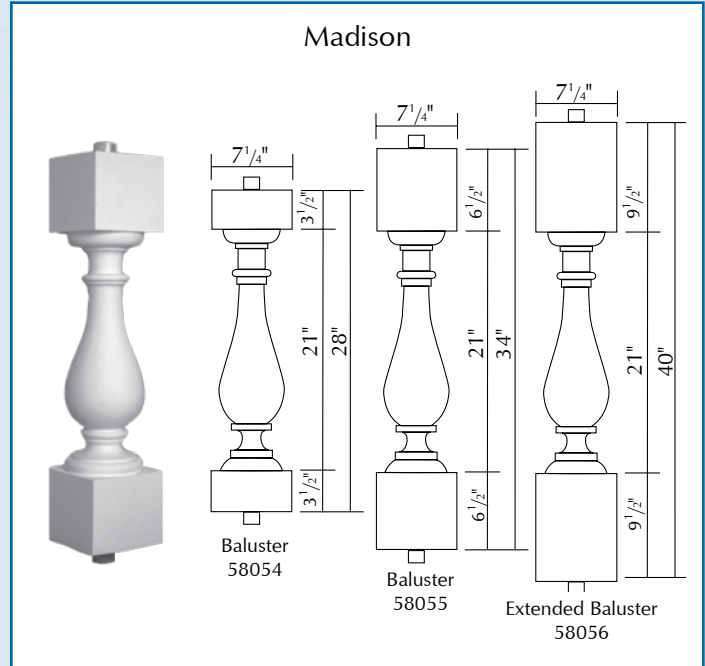
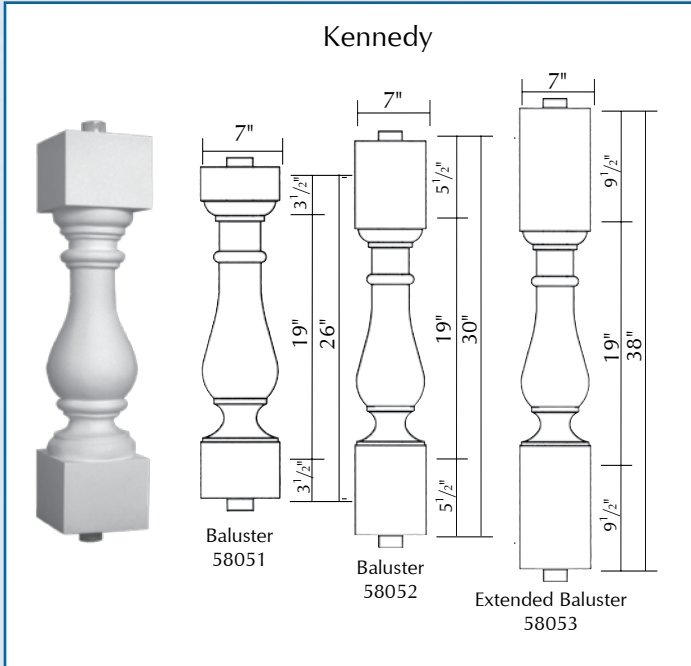
Item #	M	Maximum Spacing	O/C
58041	1 3/8"	1 1/4"	6 1/2"
58042	1 3/8"	1 1/4"	6 1/2"
58045	1 3/8"	1 1/4"	6 1/2"
58043	1 3/8"	1 1/4"	6 1/2"
58044	1 3/8"	1 1/4"	6 1/2"
58046	1 3/8"	1 1/4"	6 1/2"
58081	1 5/16"	1 3/8"	6 5/8"
58082	1 5/16"	1 3/8"	6 5/8"
58091	1 5/16"	1 3/8"	6 5/8"
58092	1 5/16"	1 3/8"	6 5/8"
58093	1 5/16"	1 3/8"	6 5/8"



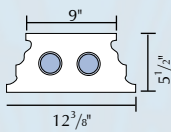
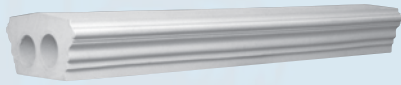


**NEW**

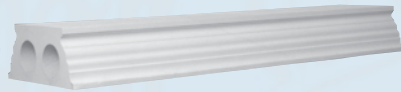
12" Balustrade System



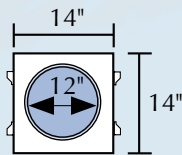
Top Rail



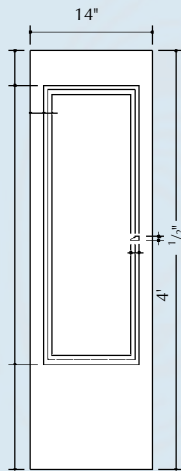
Bottom Rail



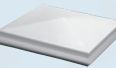
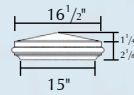
Plain Newel  
57094



Panel and Corner Newel  
57095



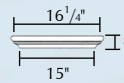
Poly molding provided loose to be installed on job site.



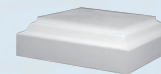
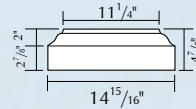
Pyramid Cap  
57091



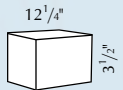
Ball Cap  
7" 63058  
10" 57096  
12" 57093  
\*Must be used with Flat Cap



Flat Cap  
57092



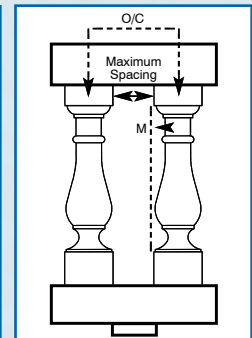
Classic Cap  
57097



Support Block  
58014

### 12" Balustrade System

Item #	M	Maximum Spacing	O/C
58051	1 3/4"	1/2"	7 1/2"
58052	1 3/4"	1/2"	7 1/2"
58053	1 3/4"	1/2"	7 1/2"
58054	2 3/4"	0"	7 1/2"
58055	2 3/4"	0"	7 1/2"
58056	1 3/4"	0"	7 1/2"





## Curved Balustrade System Features:

- 6" and 7" Styles Available
- Low Maintenance
- Durable
- Decay Resistant
- Primed White (Ready to Paint)
- Easy to Install
- Available in 60"-108" radius in up to 10' lengths
- Modified and Custom Curved Rails Available
- 25 Year Limited Warranty



Must purchase balusters and newels separately.



## Building Codes

Dixie-Pacific™ recommends checking all local, state, and national building codes before the design and installation of your balustrade system.

Dixie-Pacific™ is not responsible or liable for any balustrade system that does not meet the requirements of the governing building code in the location where the system is installed.

The space between the bottom rail and the substrate should not be more than 2".

## Typical Assembly

